



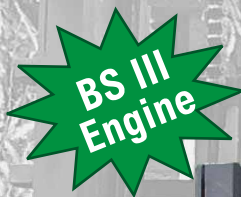
VOLTAS

MATERIAL HANDLING

HEAVY DUTY FORKLIFT TRUCK

HIGHER RELIABILITY
HIGHER PERFORMANCE
HIGHER PRODUCTIVITY

Capacity : 8000 Kgs @ 600 mm LC



ENGINE

Powered by a fuel efficient, four cylinder, charge air cooler direct injection, turbo charge water cooled, industrial diesel engine. Air filtration is done through a dry type air cleaner. Vertical exhaust system ensures hot exhaust gases are discharged well above the seating level. **Bharat Stage III compliant four cylinder engine is used.**

TRANSMISSION

Power shift transmission with constant mesh gearing provides for standard forward and reverse speeds. Direction control and range selection are effected by a mechanical shift. Separate levers for direction and range selection provided for mechanical gear shifting.

BRAKES

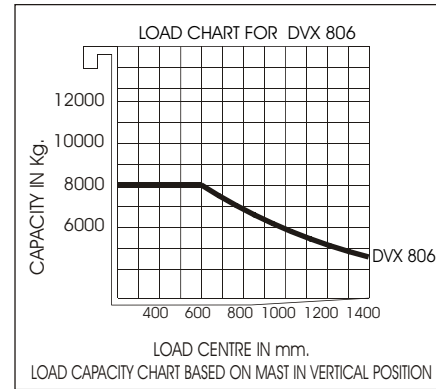
Air operated brakes are self energizing. Brakes are directly on drive wheels and are operated by a pneumatic unit for high braking force and low pedal effort. Cowl mounted and pneumatically operated parking brake.

HYDRAULIC SYSTEM AND CONTROLS

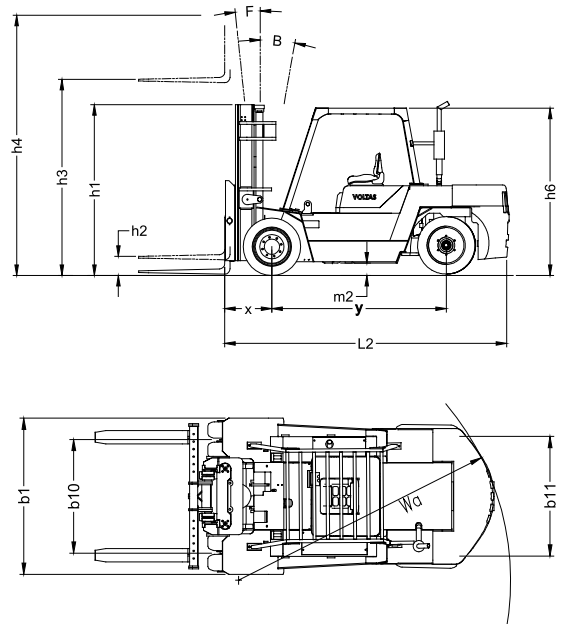
A large size Hydraulic tank is fitted with a breather. It is used for releasing the gases formed. Gear type direct driven hydraulic pump is mounted on the transmission housing. Relief valve protects system against excessive pressures from overload. System is continuously filtered by intake suction and return line filters.



SPECIFICATIONS							
GENERAL	1	MANUFACTURER		VOLTAS			
	2	MODEL		DVX 806			
	3	CAPACITY	LIFTING LOAD	KG	8000		
	4	LOAD CENTER	DISTANCE	MM	600		
	5	POWER UNIT	ENGINE TYPE		DIESEL		
	6	TYRES	PNEUMATIC (P), CUSHION (C)		P-STD / C-OPT		
DIMENSIONS	7	LIFT HEIGHT STD MAST	MAX FORK HEIGHT	h3	MM	3050	
	8		FREE LIFT WITH STD HVM MAST	h2	MM	NIL	
	9	FORK CARRIAGE	ISO CLASS			BAR	
	10	FORK DIMENSIONS	THICKNESS(thk) X WIDTH(W) X LENGTH(L)		MM	65 X 150 X 1220	
	11	FORK SPREAD	MINIMUM - MAXIMUM		MM	650 / 1650	
	12	TILT ANGLE WITH HVM	FORWARD / BACKWARD	F / B	DEG	6 / 10	
	13		LENGTH TO FACE OF FORKS	L2	MM	4030	
	14		OVERALL WIDTH	b1	MM	2080	
	15	OVERALL DIMENSIONS	HEIGHT WITH COLLAPSED MAST	h1	MM	2540	
	16		HEIGHT WITH EXTENDED MAST & LBR	h4	MM	4260	
PERFORMANCE	17		HEIGHT OF CANOPY GUARD	h6	MM	2400	
	18	TURNING RADIUS		Wa	MM	3620	
	19	FRONT OVERHANG		X	MM	650	
	20		TRAVEL - LADEN / UNLADEN		KMPH	25 / 30	
	21	SPEEDS WITH STD HVM	LIFTING - LADEN / UNLADEN		MM/S	280 / 290	
	22		LOWERING - LADEN / UNLADEN		MM/S	380 / 340	
	23	GRADABILITY**	LADEN		%	17	
	24	STEERING TYRE	POWER STEERING			FULL POWER	
	FRAME & TYRES	25	WEIGHT	LADEN / UNLADEN		KG	17650 / 9650
		26		No - FRONT / REAR		No	4 / 2
27		TYRES	SIZE - FRONT			7.50 x 16 - 12PR	
28			SIZE - REAR			7.50 x 16 - 12PR	
29		WHEEL BASE		Y	MM	2500	
30		TRACK	b10 / b11		MM	1940 / 2060	
31		GROUND CLEARANCE	UNDER FRAME	m2	MM	220	
32		BRAKES	SERVICE			PNEUMATIC	
33			PARKING			PNEUMATIC	
DRIVE		34		MANUFACTURER / MODEL			REPUTED
	35	ENGINE	RATED HP AS PER IS 10000		HP	96	
	36		RATED RPM		RPM	2200	
	37		RATED TORQUE		KGM	37.5 @ 1400 RPM	
	38		MAKE / MODEL			INDIGENOUS	
	39	TRANSMISSION	TYPE			POWERSHIFT	
	40		NO OF SPEEDS			2 / 2	
	41		GEAR SHIFT				MECHANICAL



**UNLADEN GRADABILITY IS LIMITED TO SKIDDING OF TYRES. SAFETY : TRUCK CONFORMS TO STABILITY REQUIREMENT AS PER "BIS" & "ISO" STANDARDS ALL SPECIFICATIONS ARE SUBJECT TO +/- 12% TOLERANCE APART FROM THOSE GOVERNED BY BIS. DUE TO CONTINUOUS DESIGN IMPROVEMENTS THE SPECIFICATIONS ARE SUBJECT TO CHANGE WITHOUT NOTICE. CONTACT MHBD SALES OFFICE FOR APPLICATIONS INVOLVING SIDESHIFTER / FORK POSITIONER OR ANY OTHER ATTACHMENTS.



The specifications are subject to change without prior notice. Please contact our nearest office for latest specifications



Voltas Material Handling Private Limited

Plant I : Voltas Limited, Unit III, 2nd Pokhran Road, Thane West - 400 601. Maharashtra
Ph: 91-22-67920252 / 231/201/221/366
Fax : 91-22-67920164 / 117
e-mail : enquiries.vmh@voltas-mh.com

Plant II : 5/4 Chandan Nagar, Pune-Nagar Road, Pune. 411014. Maharashtra

Visit us: www.voltas-mh.com

For Export Enquires :

Tel.: 91-22-67920119 / 205
e-mail: sameer.kalamdani@voltas-mh.com

F.MKT:MH:302:131:00

BRANCHES / AREA OFFICES

Ahmedabad Tel.: 079-66306601 ● Bangalore Tel.: 080-67132538/ 39/ 42
Bhubneshwar Mob.: 9178737311 ● Chandigarh Tel.: -0172-6610132 / Mob. 9216223028
Chennai Tel.: 044-66760321 / 23 ● Coimbatore Mob.:8220000370
Hyderabad Tel.: 040-66746820 / 21 / 22 ● Jaipur Tel.: 0141-6541013 / Mob. 9799393454
Jamshedpur Tel.: 0657 - 6518804 / 2424276 ● Kochi Tel.: 0484 - 6605508 / 2359624
Kolkata Tel.: 033 - 66266323 / 25 ● Mumbai Tel.: 022-67920125 ● Nagpur Tel.: 0712-6454868
New Delhi Tel.: 011-66505511 / 12 / 13 ● Pune Tel.: 020 - 66046614 ● Vizag Tel.: 0891-2754665

DEALERS

Ahmedabad Tel.: 079-26301778/79 ● Aurangabad Tel.: 0240-6615425 / 6 / 7 / 8 Mob. 9657722566
Bangalore Tel.: 080-26672350 / Mob.: 09449857458 ● Bhubaneshwar Tel.: 0674 - 2570142 / 6531278
Hyderabad Tel.: 040-66662996 / Mob. 9848114459 ● Chandigarh Mob: 9530601175
Coimbatore Tel.: 0422-2565977 ● Delhi Tel.: 0129-4274444 ● Goa Tel.: 0832-2313967 / 9850471387
Guwahati Mob.: 9435146562 ● Hubli Tel.: 0836-2271164 / Mob. 09482233151
Indore Tel.: 0731-4041373 / Mob. 9826052942 ● Jaipur Mob. 9414157442
Jamshedpur Tel.: 0657-2202785 / 6 / 65440226 ● Kochi Tel.: 0484-2395911 / 4081040
Kolkata Mob. 9830086288 ● Madurai Tel.: 0452-2371473 / Mob. 9500918250
Mumbai Tel.: 022-27704917 / 8888851215 ● Nagpur Mob.: 9763728136
Pune Tel.: 020-46782227 / 8 / 9 Mob.9922996271 ● Vapi Tel.: 0260-2425143 / Mob. 9978901772