

**100+ YEARS OF EUROPEAN
TRUST & COMMITMENT**



Next Step To Future

CTX 16

1.6Ton Battery
Operated Stacker With
Electric Steering



WHY BUY ME?

- ✔ High performance heavy duty stacker in its class
- ✔ Safest stacker with operator guards, operator sensor platform & proximity sensors
- ✔ Safety in terms of speed reduction while cornering
- ✔ Proportional hydraulics for smooth operation
- ✔ Easy to ride & maintain



TOLL FREE NUMBER- 1800 270 1123

BRAND HISTORY

1917



Founded in **1917**; starts in 1918 the production of cars

1933



In **1933**, acquisition by FIAT Group

1937



In **1937** The Plants Of Milan And Brescia Are Unified And The agricultural Machinery Division Of Suzzaral Incorporated With The Growth Of 3 New Segments :
1.Buses, Trucks, **2.**Rail Equipment, Agricultural Tractors, Forklift Trucks, Marine Engines
3.Engine Pumps And Cooling Systems

1957



In **1957** OM becomes FIAT Carrelli Elevatori, belonging to IVECO Division

1961



In **1961** PIMESPO, Piccola Industria Meccanica sul Po was born in Luzzara, manufacturing WH Trucks

1981



In **1981** FIAT IVECO acquires PIMESPO.

1992



In **1992** LINDE Group acquires from FIAT the Forklift Division.

2002



In **2002** the Company changes his name into OM Carrelli Elevatori keeping the Brand OM PIMESPO.

2005



In **2005** Luzzara becomes a Plant for the whole STILL Group

2006



In **2006** Linde, Still and OM are unified into the KION Group.

2017



In **2017**, OM launched in Indian market.

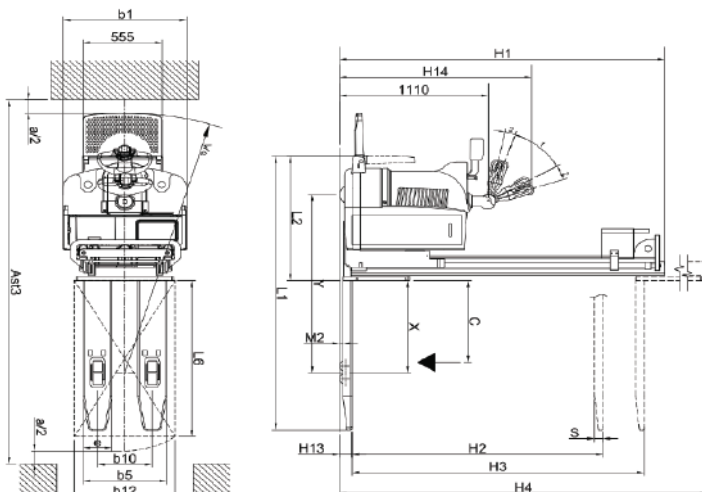


OVERALL DIMENSIONS AND SPECIFICATIONS FOR CTX 16

CHARACTERISTICS	1.1	Manufacturer		KION India
	1.2	Manufacturer type designation		CTX16
	1.3	Drive Unit : electric (Battery or mains), Diesel, Petrol, Fuel gas		Electric
	1.4	Operator type : Hand, Pedestrian, Standing, Seated, Order - picker		Standing
	1.5	Load capacity	Q (t)	1.6
	1.6	Load center	c (mm)	600
	1.7	Load distance, center of drive axle to fork face	x (mm)	700
	1.8	Wheelbase	y (mm)	1347
WEIGHT	2.1	Truck weight (with battery)	kg	1520
WHEEL & TYRES	3.1	Tyre : solid rubber, superelastic, pneumatic, polyurethane		Polyurethane
BASIC DIMENSIONS	4.1	Free lift	h2(mm)	1864
	4.2	Lift height	h3(mm)	5384
	4.3	Height, mast extended	h4(mm)	5869
	4.4	Residual Capacity at Max Lift Height	Kg	600
	4.5	Length to face of forkst (Open /Closed Platform)	l2(mm)	947/1286
	4.6	Overall width	b1(mm)	860
	4.7	Maximum forks width	b5(mm)	580
	4.8	Ground clearance, laden, below mast	m1(mm)	26
	4.9	Ground clearance, center of wheelbase	m2(mm)	26
	4.10	Turning radius (Open /Closed Platform)	Wa(mm)	1659/1998
PERFORMANCE	5.1	Travel speed (Loaded / Unloaded)	km/h	7 / 7
	5.2	Lift Speed (Loaded / Unloaded)	m/s	0.16 / 0.20
	5.3	Lowering speed (Loaded / Unloaded)	m/s	0.40 / 0.30
	5.4	Max gradeability (Loaded / Unloaded)	%	3.9% / 8.8%
	5.5	Service brake		Electric
MECHATRONICS	6.1	Drive motor rating S2 60min	kW	2.2 kW (AC)
	6.2	Lift motor rating at S3 15%	kW	3 kW (DC)
	6.3	Steer motor rating at S1	kW	0.3 kW (AC)
	6.4	Battery voltage / nominal capacity k5	V/Ah	24 / 315 Standard
MISC	7.1	Steering		Electric

MAST TYPE	CLOSED MAST HEIGHT (H1)	FREE LIFT (H2)	LIFT STROKE (H3)	EXTENDED MAST HEIGHT (H4)	DERATED CAPACITY (kg)
HVT5384	2360	1653	5384	5801	600
HVT4484	2060	1553	4484	4901	820
HVM3670	2360	40	3670	4170	1050

All specifications are subjected to $\pm 12\%$ tolerance apart from those governed by BIS.
Due to continuous design improvements, the specifications are subject to change without notice.



100+ CUSTOMER TOUCH POINTS FOR SALES & SERVICE



Address :

KION INDIA Private Limited, 5/4 Chandan Nagar,
Pune Nagar Road, Pune-411014

TOLL FREE NUMBER- 1800 270 1123