

DVX 8 Ton

8.0Ton Automatic Transmission Diesel
Forklift Capacity : 8000 kg @ 600 mm L.C.

Now
Available
CEV STAGE
IV



Why Buy Me?

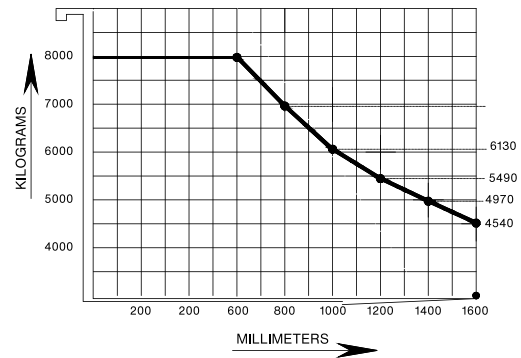
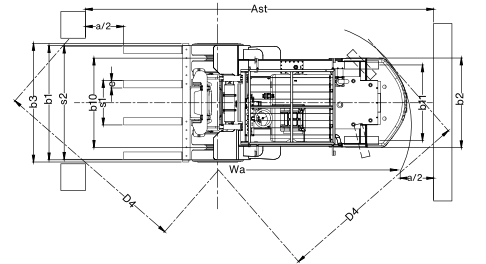
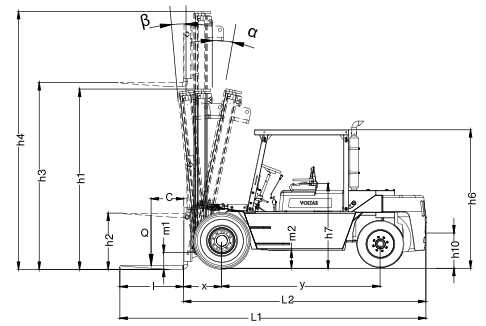
- ✓ Maximum Reliability
- ✓ Maximum Performance
- ✓ Maximum Productivity

Attachments



DVX 8 Ton - SPECIFICATIONS

GENERAL					KION		
1	MANUFACTURER				KION		
2	MODEL				DVX806		
3	CAPACITY	LIFTING LOAD	Q	Kg	8000		
4	LOAD CENTER	DISTANCE	C	mm	600		
5	POWER UNIT	ENGINE TYPE				DIESEL	
6	TYRES	SOLID, PNEUMATIC, SUPERELASTIC				P - STD	
DIMENSIONS							
7	LIFT HEIGHT	MAX FORK HEIGHT	h3	mm	3500		
8	STANDARD MAST	STD FREE LIFT	h2	mm	0		
9	FORK CARRIAGE	ISO CLASS				BAR type	
10	FORK	THICKNESS X WIDTH X LENGTH				65x150x1200	
11	FORK SPREAD	MINIMUM - MAXIMUM	s1/s2	mm	420 / 1800		
12	TILT ANGLE	FORWARD / BACKWARD	Fwd/Bwd	Deg	6 / 10		
13		LENGTH TO FACE OF FORKS	L2	mm	4550		
14		OVERALL WIDTH	b1/b2	mm	2325 / 1875		
15	OVERALL DIMENSIONS	FRONT OVERHANG	X	mm	715		
16		HEIGHT WITH COLLAPSED MAST	h1	mm	3350		
17		HEIGHT WITH EXTENDED MAST WITH LBR	h4	mm	5100		
18		OVERHEAD GUARD HEIGHT	h6	mm	2550		
19	TURNING RADIUS		Wa	mm	4200		
20	AISLE WIDTH	WITH PALLET 800 x 1200 ACROSS FORKS	Ast	mm	4150		
		WITH PALLET 1200 x 1000 ACROSS FORKS	Ast	mm	6800		
PERFORMANCE							
21		TRAVEL SPEED			Kmph	18 / 24	
22	SPEEDS WITH STD HVM	LIFTING - LADEN / UNLADEN			m / s	0.25 / 0.26	
23		LOWERING - LADEN / UNLADEN			m / s	0.48 / 0.26	
24	GRADABILITY	LADEN / UNLADEN			%	17 / 20	
25	STEERING TYPE	POWER STEERING				HYDROSTATIC	
26	WEIGHT	SERVICE WEIGHT - UNLADEN			KG	11550	
27	AXLE LOADS	LADEN -FRONT / REAR (WITH STD HVM MAST)			KG	17650 /1900	
28		UNLADEN -FRONT / REAR (WITH STD HVM MAST)			KG	5140/6410	
29	TYRES	NO - FRONT / REAR			Nos	4 / 2	
30		SIZE - FRONT			mm	10.0 x 20 - 16PR	
31		SIZE - REAR			mm	7.50 x 20 - 12PR	
32	WHEEL BASE		Y	mm	3000		
33	TRACK	FRONT / REAR	b10/b11	mm	1815 / 1620		
34	GROUND CLEARANCE	AT MAST	m1	230			
35		AT FRAME	m2	275			
36	PARKING BRAKE				Pneumatic		
37	SERVICE BRAKE				Pneumatic		
DRIVE							
38		MANUFACTURER / MODEL				AL H4 CTICRC4_101	
39	ENGINE	ENGINE RATING			PS / Kw	101 / 74	
40			RATED RPM			RPM	2200
41			RATED TORQUE			Nm@ RPM	390 @1400 -1600rpm
42			NUMBER OF CYLINDERS				4
43	GEAR BOX	TRANSMISSION				power shift with torque converter	
44			NO OF SPEEDS (FWD / REV)				2F / 2R
45			GEAR SHIFT				MECHANICAL



Safety: truck conforms to stability requirement as per "BIS & ISO" standards
 All specifications are subject to tolerance of +/- 12% apart from those governed by BIS
 Due to continuous design improvements the dimensions are subject to change without notice
 * Dimensions mentioned are for Standard HVM 3600 MFH Model, refer table for other mast configuration.

MAST OPTIONS

MAST TYPE	MAX FORK HEIGHT h3 mm	FREE FORK HEIGHT h2 mm	O.A.H MAST RETRACTED h1 mm	OVER HEAD GUARD HEIGHT h6 mm	O.A.H WITH LBR h4 mm	TILT ANGLE FWD BACK DEGREES α/β	CAPACITY IN KG @ MFH	SERVICE WEIGHT
HVM 3500(STD)	3500	NIL	3470	2550	5200	6° 10°	8000	11550
HVM 4500	4500	NIL	3920	2550	6170	6° 10°	6500	12100
HVM 5500	5500	NIL	4420	2550	7170	6° 8°	6100	12650



Gat No. 134/1, Vadhu Road, Off Pune Nagar Road,
 Koregaon Bhima, Taluka Shirur, District Pune 412216.
 Email: in.enquiries@kiongroup.com | Website: www.om-mh.com

TOLL FREE NUMBER- 1800 270 1123

F: MKT: KIPL: 302: 106:00
 Feb. 2021 - Qty: 500